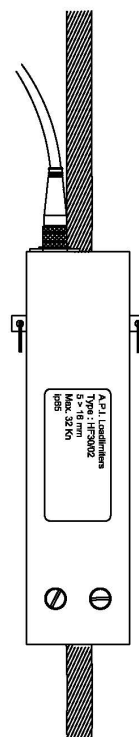
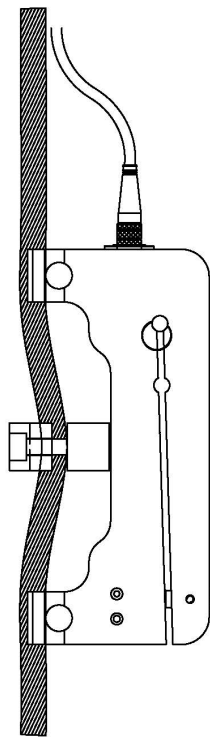


Load Limiter

Universal mechanical load limiter HF Series`s



English

ENG: Assembly instructions



Reading this manual for use and maintenance is mandatory.

APS Trako srl

Romania

PRECEDING INSTRUCTIONS:

1. Before installing and operating this unit, it is necessary to familiarize yourself with this manual and to follow the instructions. A copy of this manual must be kept available for every operator.
2. Do not use this load limiter if one of the labels is no longer present or readable, as indicated at the end of this manual.
3. All persons using this appliance must be able to understand and comply with these safety instructions and instructions. This manual must be available to the user at all times.
4. . The installation and commissioning of this load limiter must be carried out under safe conditions that the installer guarantees, in accordance with the applicable regulations.
5. Before every installation of this load limiter, check that it is in good condition. This Load Limiter may never be used if it is not in a seemingly good condition. If necessary, return it to the manufacturer for inspection.
6. This load limiter may never be used for other purposes as described in this manual. This Load Limiter may not be used for a load greater than the maximum working load indicated on the appliance. These standard versions should never be used in an explosive environment.
7. These load limiters must not be used in a line for lifting persons.
8. A.P.S Trako srl denies all responsibility for the operation of this unit in a mounting configuration that is not described in this manual.
9. Any change that is made to these load limiters exempts the supplier from all responsibility and any damage sustained.
10. When dismantling this load limiter outside the supplier's knowledge, the supplier is free from all responsibility.
11. If this load limiter is permanently removed, it must be discarded so that its use is impossible. Respect the regulations regarding environmental protection.
12. The use of this load limiter must be preceded by an analysis of the risks related to the set up control functions performed by the user of this system and all appropriate measures must be taken properly.
13. This load limiter must be checked and tested in accordance with the regulations of each country in which it can be used, before commissioning and using it. Follow these regulations.

Application:

These load limiters have been specially developed to manage one or two safety thresholds in the strength of a steel cable.

Basic principle:

The deviation of the cable, made via the sensor, produces a tangential force that is proportional to the force applied to the steel cable.

The deformation of the body of the sensor causes the opening of the microswitches integrated in the sensor.

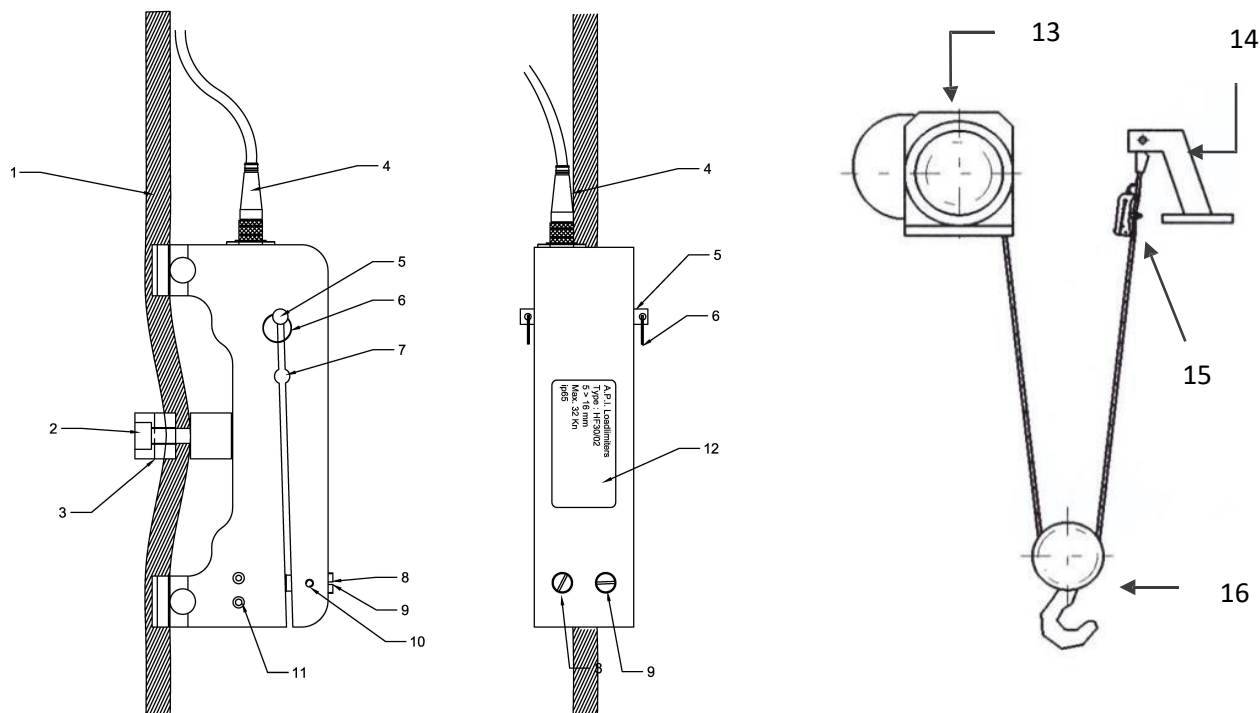
Technical specifications:

Type's	: HF16/01 , HF30/02 , HF32/02, HF34/02
Installation	: Mounting directly under fixed part on steel cable.
Circuit Voltage	: 1 or 2 integrated microswitches: NO and NC.
Adjustment	: max. 230 VAC 5 ampere.
Length of connection	: 1 or 2 adjusting screws with screw.
Cable	: 2 meters.
Use temperature	: -30 to + 70 ° C.
Protection degree	: IP65.
Electrical cable	: 5 core
Material	: Aluminum.
Surface treatment	: Red Anodised.
Maintenance	: None

INSTALLATION OF THE LOAD LIMITER



DANGER:
The user ensures that the installation of the product is carried out by a technician.



1. Steel cable
2. Imbus bolts
3. Bracket
4. Connection cable
5. Pressure shaft
6. Locking ring pressure shaft
7. 2nd position of the pressure shaft
8. 1st adjusting screw
9. 2nd setting screw (if present)
10. locking screws

11. Mounting screws microswitch (do not turn!)
12. Identification sticker
13. Hoist
14. Fixed part
15. Load limiter
16. Lifting block

Placement of the pressure shaft:

All types:

Upper positive: (see image)

Places the pressure shaft in this position if the load limiter is used up to half the maximum permissible load that this type of load limiter may have.

Lower positive:

Use this positive if the Load Limiter is to be loaded from half to max.



Important

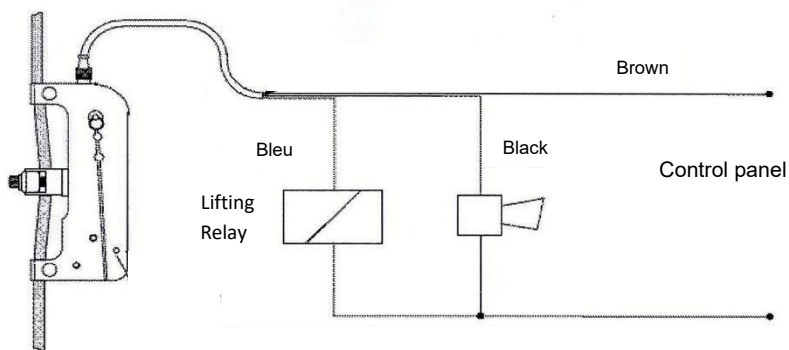
Before the Load Limiter can be loaded, check that the adjusting screw is fully turned out to prevent destruction of the micro switch.

Montage:

- Remove the bracket with fastening bolts. (3)
- Ensure that the steel cable is free of load.
- Position the Load Limiter as close as possible to the fixed part (14) with the connection cable (4) facing up.
- Reinstall the bracket with fastening bolts (2) and fix it with 0.5 kgm.
- Check the max. Hoisting height, adjust the highest stop if necessary so that the hoisting block with hook (16) does not touch the load limiter, not even with the hoisting of the hoisting hook.

Electrical connection of the load limiter:

- Mount the connection cable correctly in the switch box without risk of damage.
- Connect the wires correctly in the switch box according to the diagram below.
- As soon as the NC contact is operated, the electrical circuit of the hoisting device must be stopped.
- The NO contact will be closed when the max. Load is exceeded and the operator can warn with a handset or signal.



Brown: com
Brown - Bleu = NC
Brown - Black = NO
(White - Gray = NC)



Switching voltage max. 5 A
230Vac

Adjusting the Load Limiter

Conditions:

- Load limiter correctly mounted and cabled
- Adjust the adjusting screw back
- Hook free of load

Necessary materials:

- A load with an equivalent of 100% of the permissible nom. power of the hoist.
- An extra load, equivalent to 10% of the max. load to be lifted.

The 10% extra load represents the allowable exceedance value according to the European directives.

Proceed as follows:

- Gently lift the 2 loads off a small piece of the floor.
- Carefully tighten the adjusting screw until hoisting is no longer possible.
- Lower the load and remove the extra 10% load.
- Hoisting must now be possible again.
- Check whether hoisting is possible with the extra 10% load. This may not be possible!
- Check the correct operation a few times.

Maintenance of the Load Limiter:

No special maintenance is required for this load limiter. However, during the periodic checks, check the correct attachment of the load limiter and the condition of the connecting cable to the control circuit.

PROHIBITED AND ERROR USE

It is forbidden:

- Use the device without having taken notice of this manual in advance.
- Use the device outside the validity periods determined by the periodic inspection plan to which the device is subject.
- Use the load limiter if the connection is in a seemingly bad condition.
- The electrical circuit is bridged or not connected correctly.

